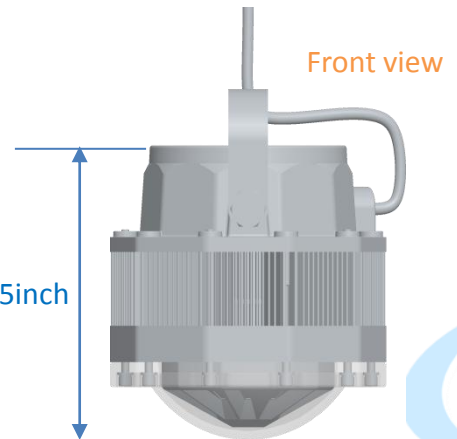
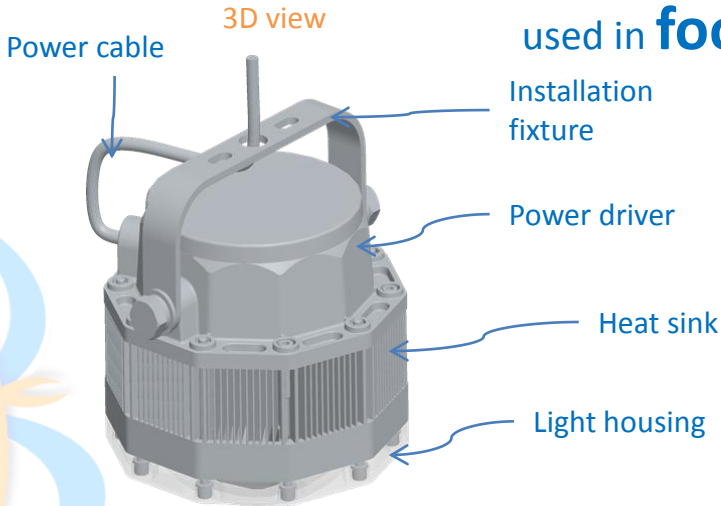


LED fixture

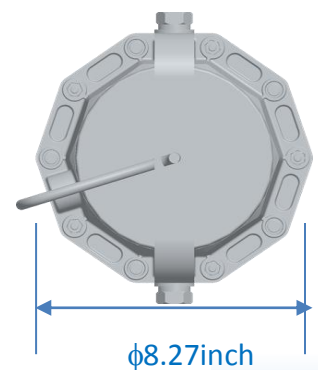
with IP68 rating

for 180F working environment

used in **food processing** applications



Bottom view



Lumen	• 9150LM
Power	• 100W
IP rating	• IP68
Housing material	• Polycarbonate(PC), aluminum & 316 stainless steel
Target life	• >=50,000hrs
Voltage	• 100V~240V AC
Working temperature	• 180F
Corrosion resistance	• WF2

- ✓ 60% lighting efficiency improvement compared to metal halide lamp
- ✓ Optimized design for long service life
 - Built in temperature protection system
 - Built in back up LED driver and power